



Icerette

AUTOMATIC ICE CUBE MAKER

THE ONLY MARINE ICEMAKER SPECIFICALLY DESIGNED AND BUILT FOR THE RIGORS OF THE MARINE ENVIRONMENT.

FEATURES INCLUDE:

- Improved controls for more efficient operation.
- Cabinet and door built to last in harsh marine environments.
- Removable ice bucket
- Corrosion resistant marine grade hardware, hinges, fittings and fasteners.
- Positive catch door latch keeps door closed. This allows maximum ice production, while keeping harmful bacteria and molds out.
- Built in door prop lets you manual defrost or air dry your unit when power is off.
- Produces up to 21 lbs of ice every day using only 2-3/4 gallons of water. Stores up to 11 lbs of crescent ice (1/2" W x 3/4" H x 2-1/2" L)
- Backed by Raritan's one-year Limited Warranty and legendary technical support team.

NEW!



EASY INSTALLATION:

- No drain required makes it easy and inexpensive to install.
- Only requires a 1/4" outside diameter water line.
- Does not require additional hinge clearance for door swing.
- Includes flange.
- No additional side space required for ventilation.
- 230 volt model available.

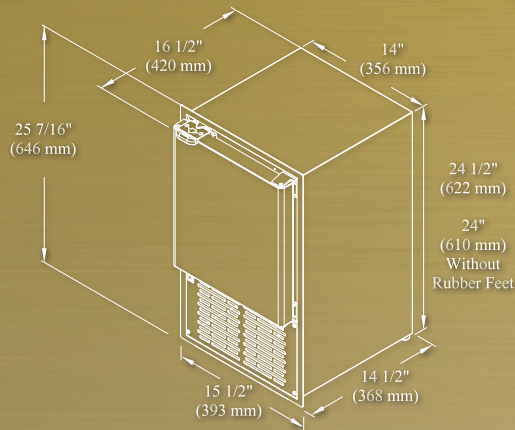
- 115 V units UL and cUL listed
- All units meets CE

Raritan products are chosen by powerboat, sailboat, houseboat, and RV owners and manufacturers the world over for their dependability, environmental responsibility, simplicity of installation, operation, and maintenance. The product line includes house-hold style toilets, marine toilets, marine sanitation devices and systems, cleaning products, icemakers, water heaters, and rudder angle indicators.

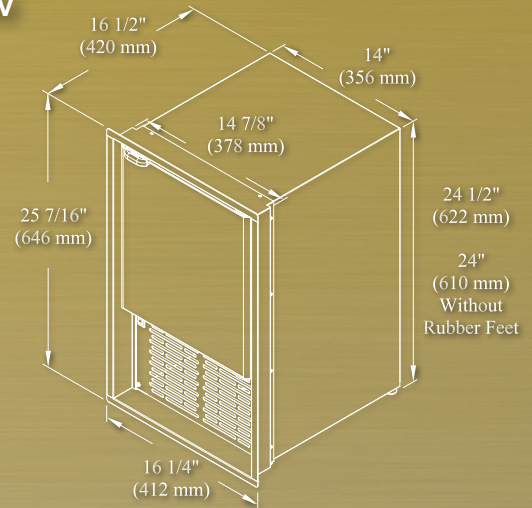
To view our complete line as well as obtain installation and servicing guides: visit www.raritaneng.com

PART NUMBERS:

Built In and Freestanding Units
87B515-1 115V
87B515-2 230V



Flush Mount Units
87E515-1 115V
87E515-2 230V



SPECIFICATION:

Electrical Requirements	115V/60Hz with USA plug	230V, 50Hz with euro plug
Volt Range	104V~127V	220V~240V
Maximum Amp Fuse	15 amps	10 AMPS

- Water Pressure Operating Range 20-120
- All ventilation from front, limited vent in back of unit. No additional clearance required around the sides.
- Adjustable rubber leveling feet
- Water supply Inlet size 1/4" OD and requires 3/4 space behind the unit for clearance
- Water supply inlet located in lower right of rear opposite of the power cord
- Net Weight 51 lbs / 23 kg

- 115 V units UL and cUL listed
- All units meets CE



www.RARITANENG.com

Raritan Engineering Company Inc.
 530 Orange Street
 Millville, NJ 08322, USA
 Telephone: 856-825-4900 | Fax: 856-825-4409
 e-mail: info@raritaneng.com

Southern Plant and Office
 3101 SW 2nd Avenue
 Ft. Lauderdale, FL 33315, USA
 Telephone: 954-525-0378 | Fax: 954-764-4370